

Current Transducer CA25-NP

IPN=5-6-8-12-25

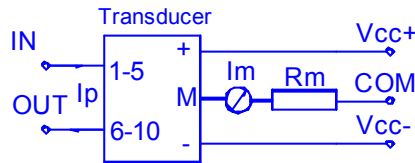
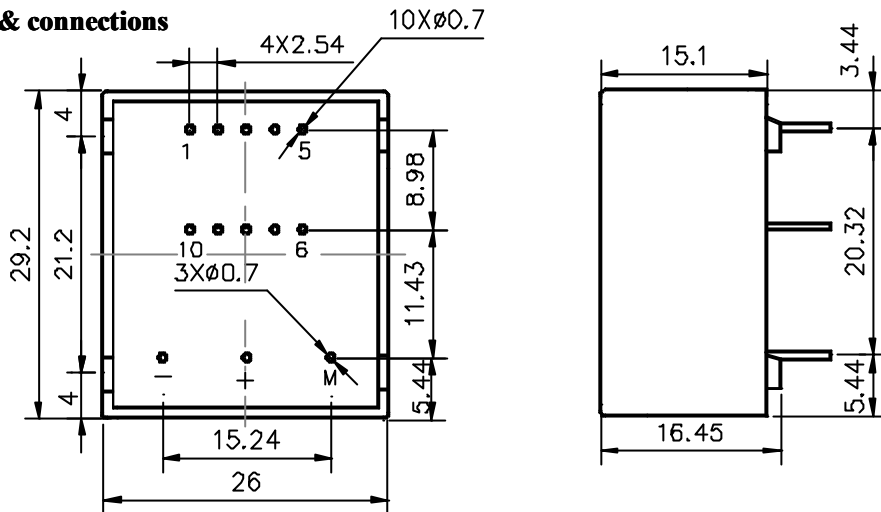
For the electronic measurement of currents : DC, AC, pulsed, mixed , with a galvanic isolation between the primary circuit (high power) and the secondary circuit (electronic circuit).

Performance data

Primary nominal r.m.s. current I_{PN} (r.m.s)	25		A.t
Primary current, measuring range I_P	0..±36		A.t
Measuring resistance	R_{Mmin}	R_{Mmin}	
	@ ±25A _{tmax}	100	320 Ω
	@ ±36A _{tmax}	100	190 Ω
Secondary nominal r.m.s. current	25		mA
Conversion ratio	1-2-3-4-5: 1000		
Supply voltage	±15(±5%)		V
Current consumption	10+Is		mA
R.m.s. voltage for AC isolation test,	2500		V/50Hz/1min
Accuracy @ I_{PN} , $T_A=25^\circ C$	±0.8%		
Linearity	±0.2%		
Offset current @ $T_A=25^\circ C$, $I_P=0$	±0.15		mA
Thermal drift of I @ $0^\circ C..+70^\circ C$	±0.35		mA
Response time @ $I_{PN}90\%$	<1		μS
Di/dt	>50		A/μS
Frequency bandwidth	DC..150		kHz
Ambient operating temperature	-40..+85		°C
Ambient storage temperature	-45..+90		°C
Mass	22		g



Dimensions & connections



PRIMARY TURNS	INPUT(A)		NOMINAL OUTPUT (mA)	RATIO	PRIMARY RESISTOR (mΩ)	PRIMARY CONDUCTOR (μH)	CONNECT
	NOMINAL	MAX					
1	25	36	25	1/1000	0.3	0.023	OUT IN
2	12	18	24	2/1000	1.1	0.09	OUT IN
3	8	12	24	3/1000	2.5	0.21	OUT IN
4	6	9	24	4/1000	4.4	0.37	OUT IN
5	5	7	25	5/1000	6.3	0.58	OUT IN